

quodes[®]

Stammtisch

Design Alfredo Häberli

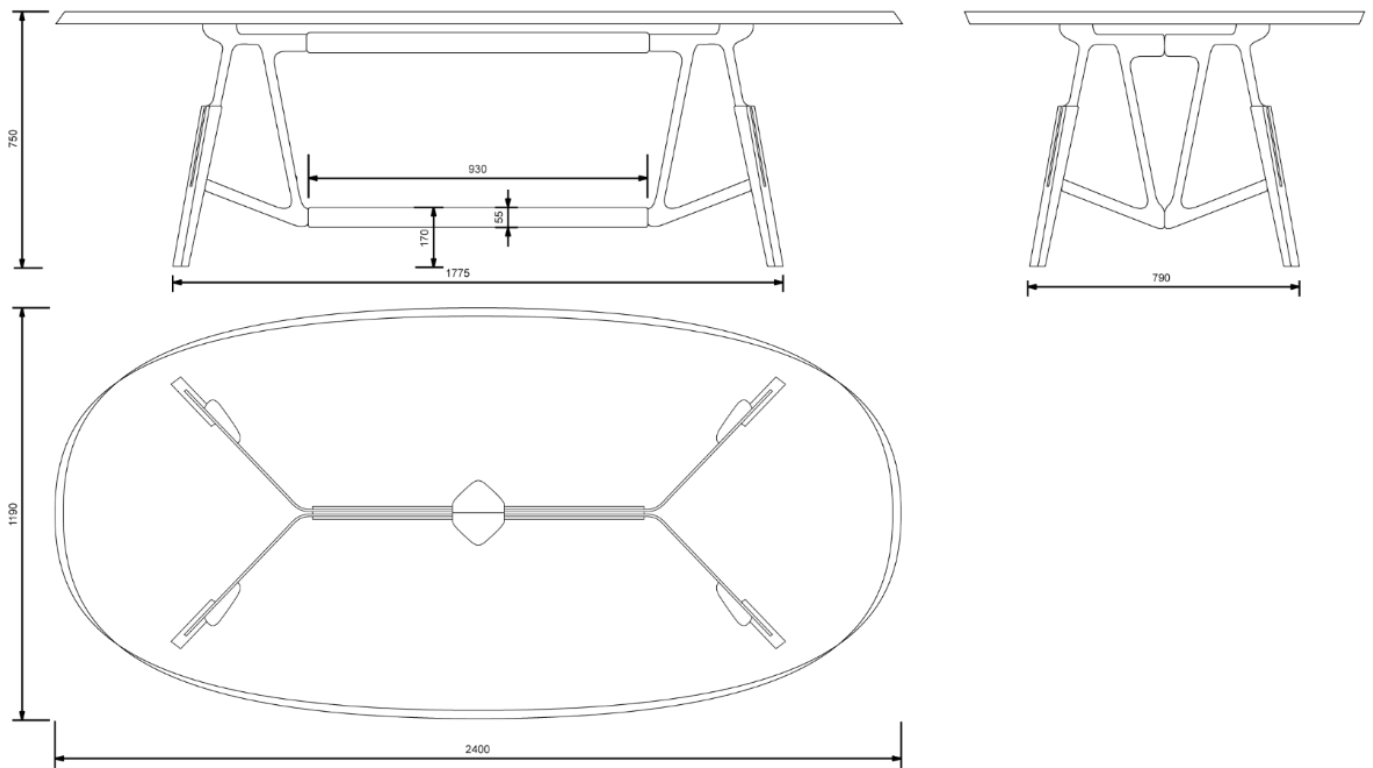


Measurements

Exterior dimensions

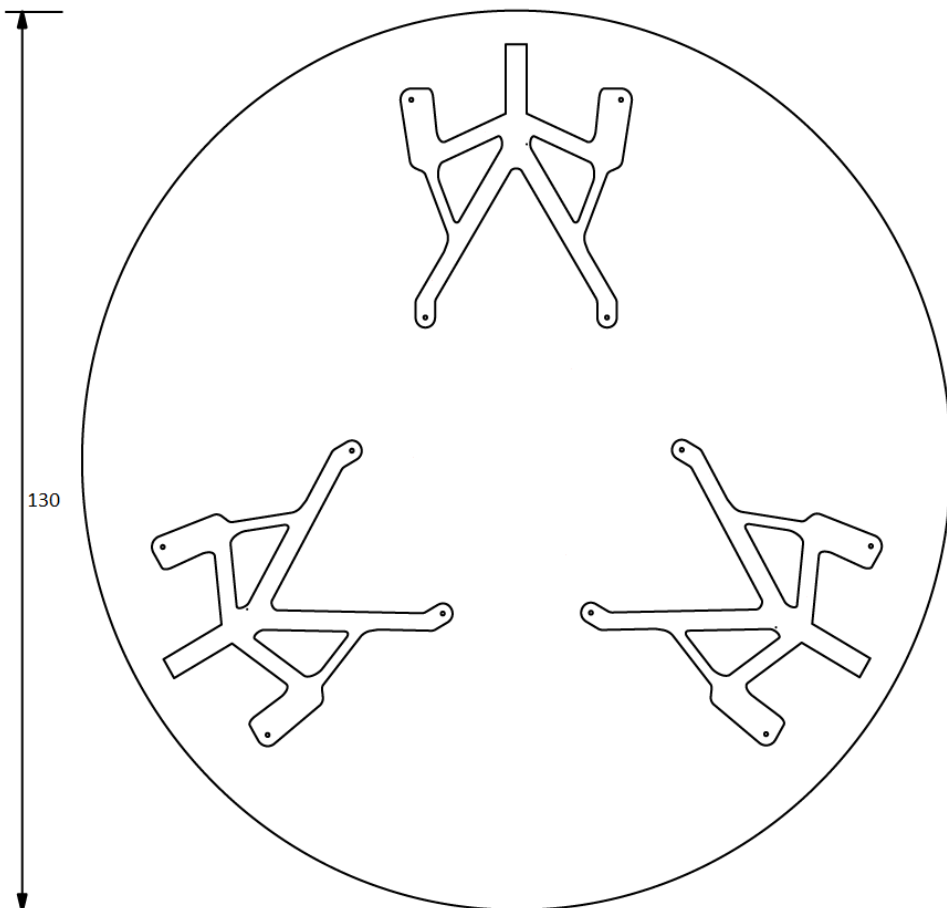
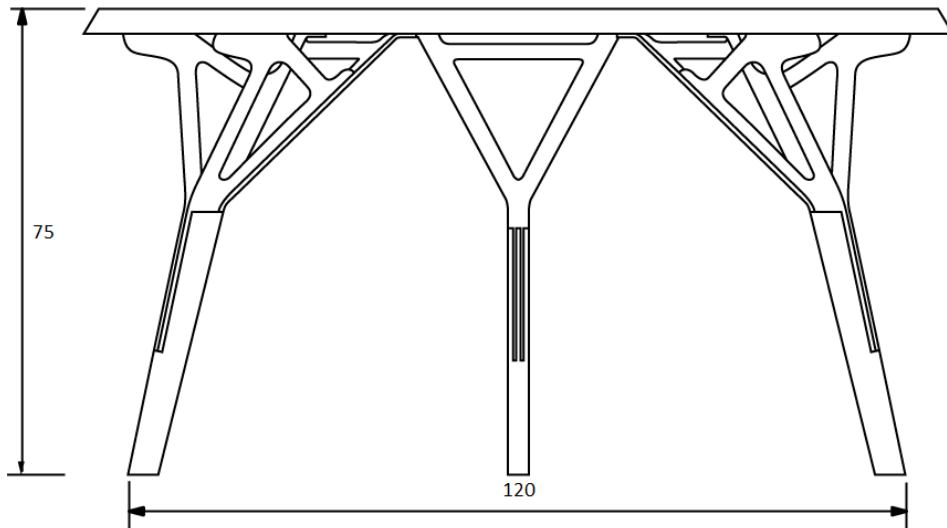
	Cm	Inch
Stammtisch Round D 110 cm	110 x 75 cm	43,3 x 29,5 inch
Stammtisch Round D 130 cm	130 x 75 cm	51,2 x 29,5 inch
Stammtisch Round D 150 cm	150 x 75 cm	59,1 x 29,5 inch
Stammtisch Oval 210 cm	210 x 118 x 75 cm	82,7 x 46,5 x 29,5 inch
Stammtisch Oval 240 cm	240 x 118 x 75 cm	94,5 x 46,5 x 29,5 inch
Stammtisch Oval 280 cm	280 x 118 x 75 cm	110,2 x 46,5 x 29,5 inch
Stammtisch Rectangular 210 cm	210 x 100 x 75 cm	82,7 x 39,4 x 29,5 inch
Stammtisch Rectangular 240 cm	240 x 100 x 75 cm	94,5 x 39,4 x 29,5 inch
Stammtisch Rectangular 280 cm	280 x 100 x 75 cm	110,2 x 39,4 x 29,5 inch

Measurements, Stammtisch Oval



Length tabletop	210cm / 82,68"	240cm / 94,49"	280cm / 110,24"
Length footrest bar	93cm / 36,61"	93cm / 36,61"	133cm / 52,36"
Leg to leg lengthwise	177,5cm / 69,88"	177,5cm / 69,88"	217,5cm / 85,63"
Leg to leg side	79cm / 29,53"	79cm / 29,53"	79cm / 29,53"
Width oval top	118cm / 46,46"		
Height oval top	75cm / 29,53"		
Thickness top	3cm / 1,18"		

Measurements Stammtisch Round



Materials & finishes & colours - models with solid wood tabletop



Materials

The legs are made of solid oak and powder coated metal.

The tabletops are made of 3 cm solid oak or 2,5 cm plywood with a top layer. Below we highlight the versions with a solid wood tabletop.

Edge

Tabletops of solid wood have an edge, from which the angle changes gradually from 60 to 120 degrees (as opposed to a straight 90 degrees edge). This is a very subtle design characteristic.

Tabletop and legs



Solid oak, clear
lacquered



Solid oak, black
stained

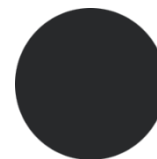
Metal frame



Traffic White
RAL 9016



Mushroom
NCS S 2002-Y



Graphite Black RAL
9011

Recommended combinations

1. Solid oak clear lacquered tabletop and legs + Traffic White RAL 9016 frame + stainless steel flange nuts
2. Idem + Mushroom NCS S 2002-Y frame
3. Black stained oak tabletop and legs + Graphite Black RAL 9011 frame + blackened steel flange nuts

Materials & finishes & colours - models with plywood tabletop and top layer



Materials

The legs are made of solid oak and powder coated metal.

In addition to the original version with a solid wood tabletop, we offer the Stammtisch table also with a coloured top layer on a plywood tabletop. The colour of the metal frame matches the top layer, creating an appealing contrast with the wood tones and emphasizing the original design in a new way.

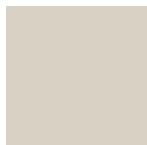
We offer 2 standard options for the coloured top in Forbo linoleum, a sustainable natural material.

Upon request other colours of Linoleum are possible or a top layer of Fenix or HPL.

Edge

If the tabletop is made of plywood, then the edge is straight (as opposed to the solid wood versions).

Tabletop and legs



Tabletop Birch plywood + Mushroom Linoleum; solid oak legs, clear lacquer



Tabletop Birch plywood + Charcoal Linoleum; solid oak legs, clear lacquer or black stained

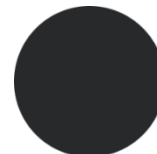
Metal frame



Traffic White
RAL 9016



Mushroom
NCS S 2002-Y



Graphite
Black RAL
9011

Recommended combinations

1. Tabletop Birch plywood & Mushroom Forbo Linoleum + solid oak clear lacquered legs + Mushroom metal frame + stainless steel flange nuts
2. Tabletop Birch plywood + Charcoal Forbo linoleum + solid oak clear lacquered legs + Graphite black metal frame + blackened steel flange nuts
3. Tabletop Birch plywood + Charcoal Forbo linoleum, + black stained oak legs / edge tabletop + Graphite black metal frame + blackened steel flange nuts

Product characteristics

The tables are delivered flat pack.

Round tables: customer receives tabletop + the wooden legs, which are mounted to the metal frame in the factory + installation guide.

Oval/rectangular tables: customer receives tabletop + 2 horizontal panels + 4 wooden legs mounted to the metal frame panels + installation guide.

Cable management options can be customized.

Other materials, dimensions, or shapes upon request