

## Stone table

*A collection of table, chair and barstool, design Sylvain Willenz*

---



### Measurements, materials and options

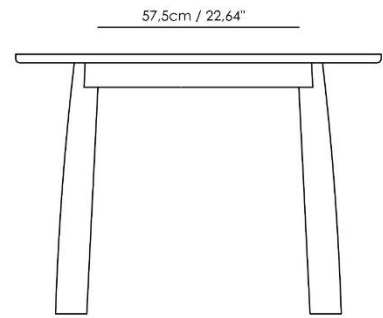
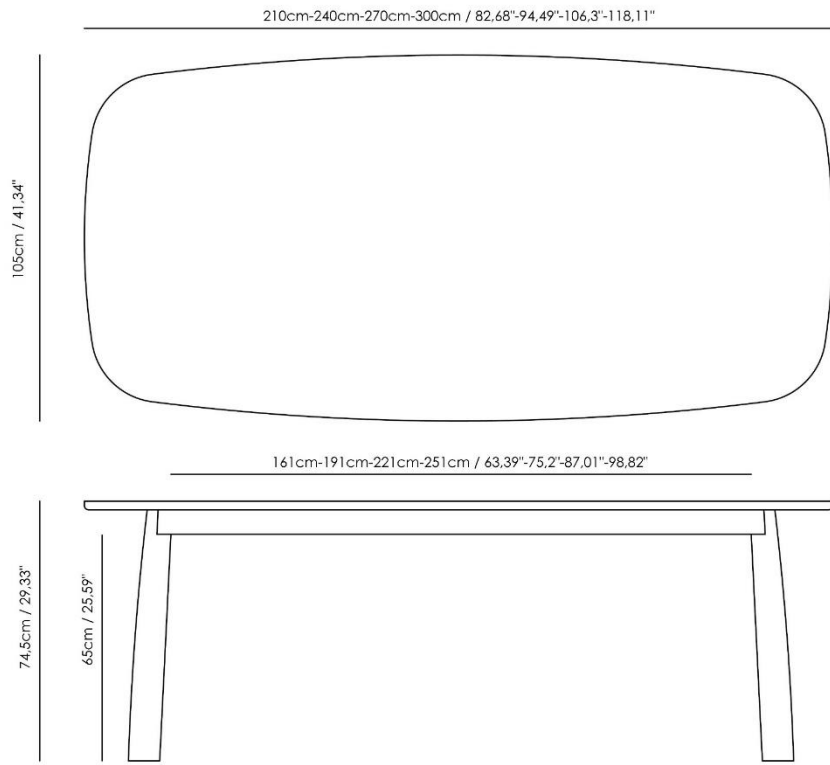
---

#### Exterior dimensions

	<b>Cm</b>	<b>Inch</b>
	<b>Long x wide x high</b>	
Stone Rectangular 160 cm	160 x 105 x 75 cm	63,0 x 41,3 x 29,5 inch
Stone Rectangular 200 cm	200 x 105 x 75 cm	78,7 x 41,3 x 29,5 inch
Stone Rectangular 240 cm	240 x 105 x 75 cm	94,5 x 41,3 x 29,5 inch
Stone Rectangular 280 cm	280 x 105 x 75 cm	110,2 x 41,3 x 29,5 inch
Stone Round 130 cm	130 x 75 cm	51,2 x 29,5 inch

Stone tables are made of solid oak with a transparent finish or stained in black.

Upon request other dimensions, materials and finishes are possible. Also cable management requirements.



# Stone chair

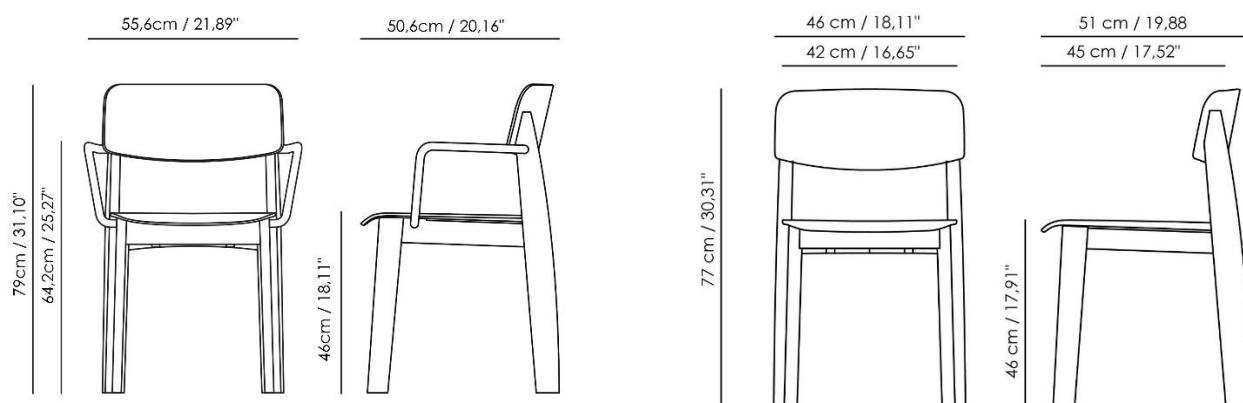
*A collection of table, chair and barstool, design Sylvain Willenz*

---



## Measurements, materials and options

---



Stone chairs are made of solid oak with a transparent oil finish. With or without powder coated metal armrest.

Upon request other materials and finishes are possible. Also upholstered seats.

EN 16139:2013+AC:2013, level 1

---

# Stone barstool

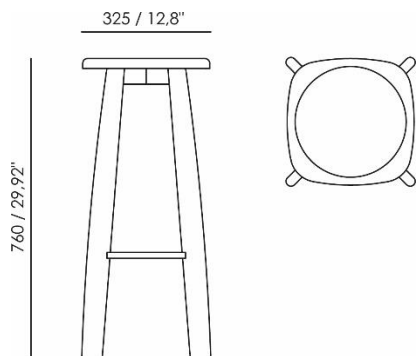
*A collection of table, chair and barstool, design Sylvain Willenz*

---



## Measurements, materials and options

---



Stone barstools are made of solid oak with a transparent oil finish and a powder coated metal footrest bar.

Standard 76 cm high and upon request also 68 cm.

Upon request other materials and finishes are possible. Also upholstered seats.

---