



Stone

Stone, a collection of table, chair and barstool
Design by Sylvain Willenz.

The STONE collection, defines itself most overall through its generous, reassuring solidity and welcoming language.

Table, chair and barstool, are distinctive assemblages of hefty form and carefully carved proportions. The strikingly graphic tapered shape of the leg profiles sets a typical signature to both Table and Chair, gently contrasting with the soft lines of the table tops, seat and backrest planes.

The possible combinations, from traditional materials, such as full wooden versions, to marble and colour contrasts, only reinforce its sculptural qualities, both recalling a primitive time as well as setting classic, timeless pieces.

About the designer

Sylvain Willenz is born in Brussels in 1978 and lived consecutively in the US, Belgium and in the UK.

Sylvain studied MA Design Products at the Royal College of Art in London, graduating in 2003.

In 2004, Sylvain opened his Design Office, based in Brussels.

He works internationally with renowned clients such as Cappellini, (IT), Established & Sons (UK), Freecom (NL/DE), Hay (DK), Tamawa (BE), Karimoku New Standard (JP) amongst others.

Works by Sylvain Willenz have been granted some of the most highly considered awards including several iF Awards and Red Dot "Best of the Best" Awards in Product Design.

Several works have been acquired by international museums, integrating their permanent collections and archives.





Stone - Table

Design by Sylvain Willenz

Rectangular table top

L 210, 240, 270, 300 cm, W 105 cm, H 75 cm.

Square table top

L+W: 120 cm or 140 cm.

Base

Natural solid French Oak base

Versions table top:

- Solid French Oak + oil finish
- Sandblasted solid French Oak lacquered with traffic white RAL 9016
- Solid French Oak stained in black
- Bianco Carrara or Emperador Dark marble

Other dimensions, types of wood, type of marble, finishes or colours on request.

Mounting

The table is delivered flat pack. The mounting is easy.



Stone, chair – NEW with armrests

Design by Sylvain Willenz

Wood

Solid French Oak + oil finish.

Upholstery seat optional

Recommended Kvadrat Remix 2, other fabric upon request. Minimum order quantity for upholstery is 4 chairs.

Dimensions

See line drawings later in this document.

Other types of wood, finishes or colours on request.





coming soon



Stone - Barstool

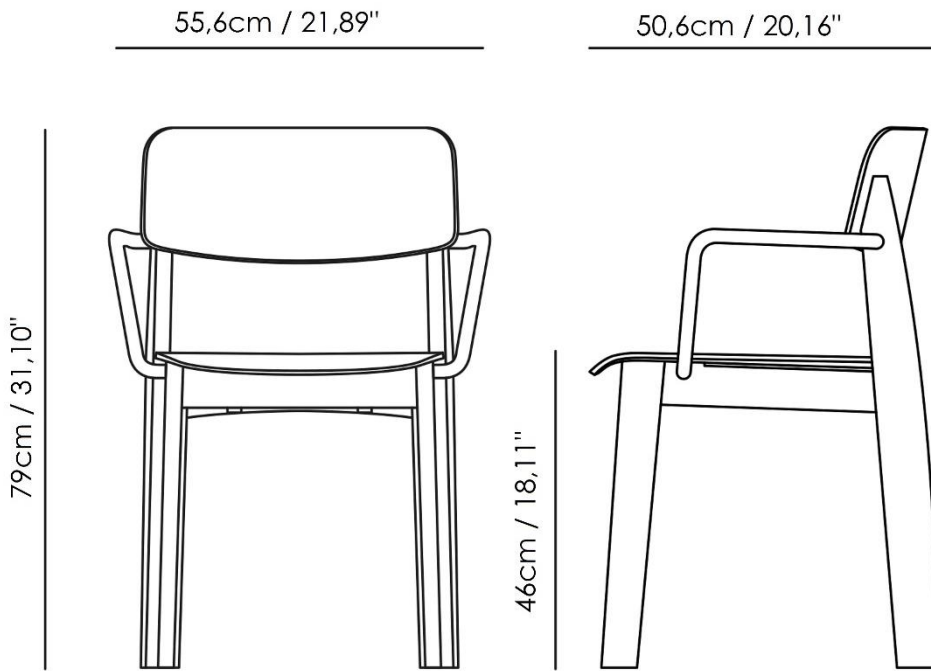
Design by Sylvain Willenz

Wood
Solid French Oak + oil finish.

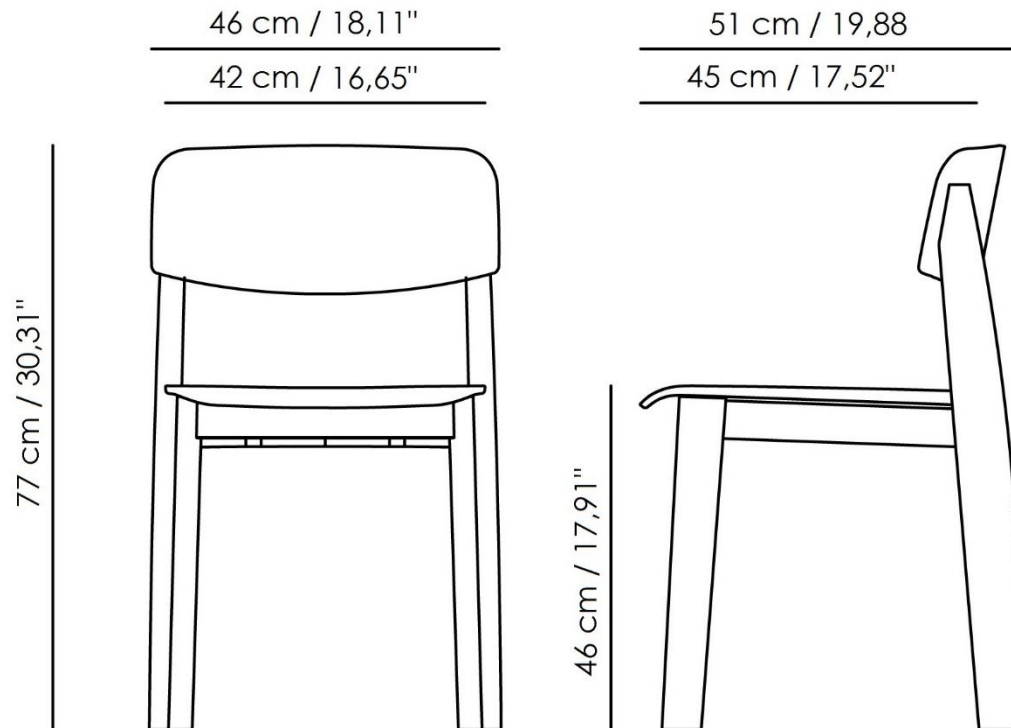
Dimensions
See line drawings later in this document.

Other types of wood, finishes or colours on request.

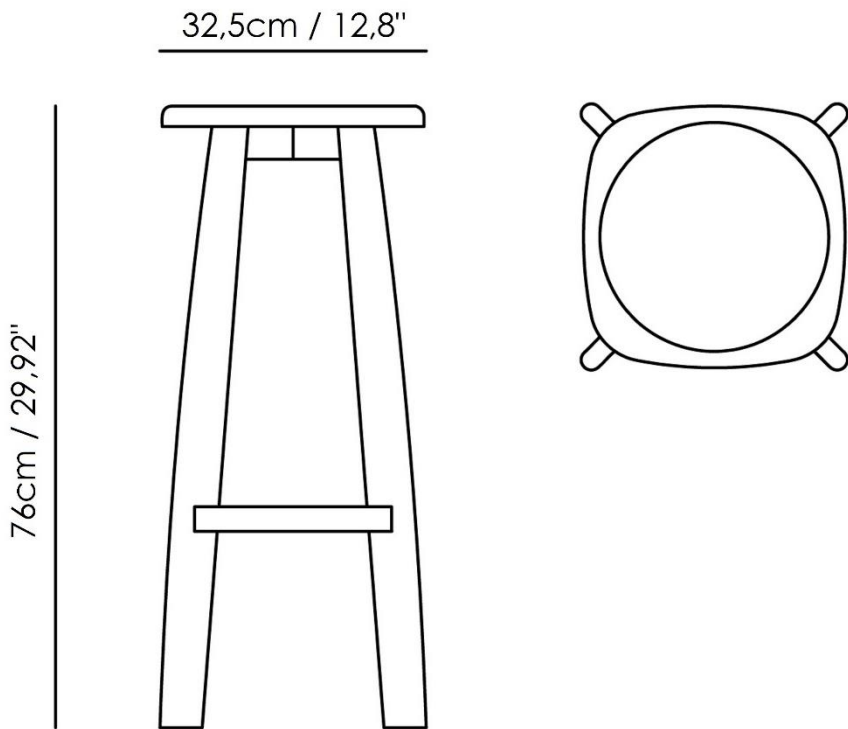
Stone, chair - NEW with armrests



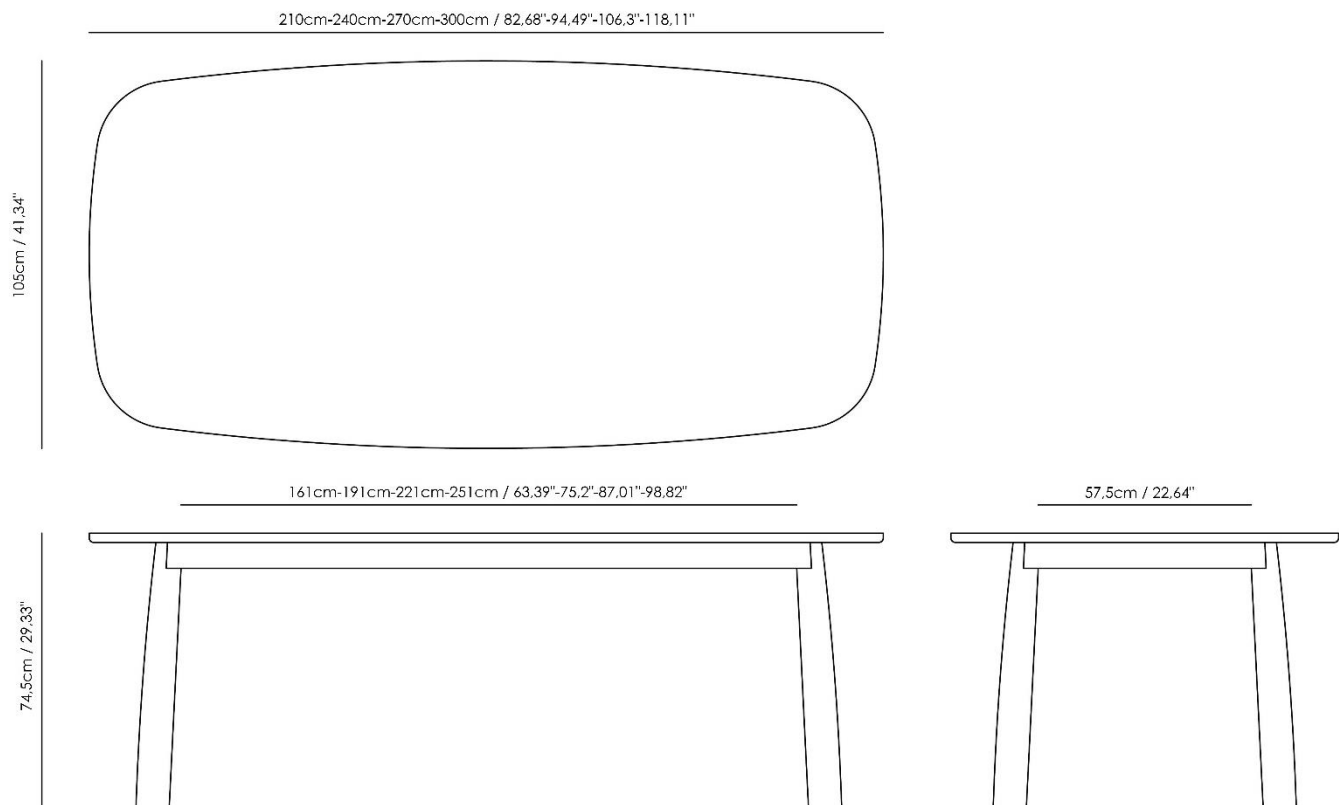
Stone, chair – coming soon



Stone Barstool



Stone Table – rectangular top



Stone Table – square top

120cm-140cm / 47,24"-55,12"

120cm-140cm / 47,24"-55,12"

71cm-91cm / 27,95"-35,83"

74,5cm / 29,33"